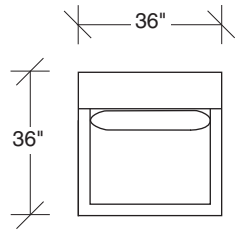
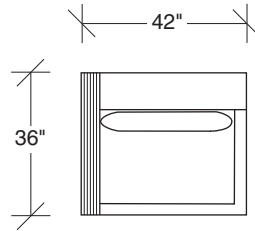


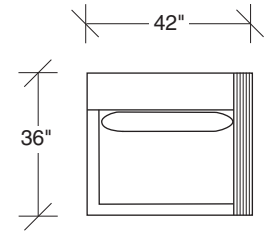
1140-000
OTTOMAN



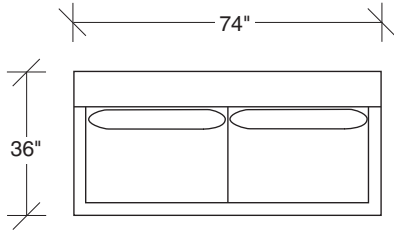
1140-100
CHAIR



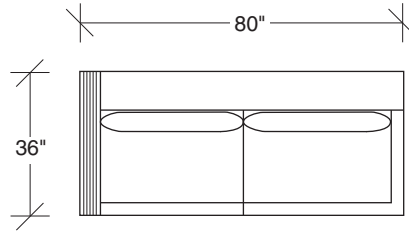
1140-101
LAF CHAIR



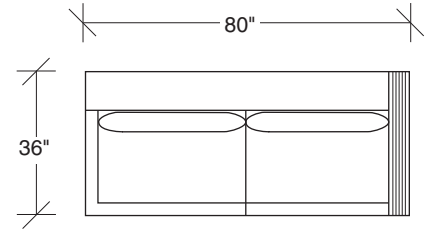
1140-102
RAF CHAIR



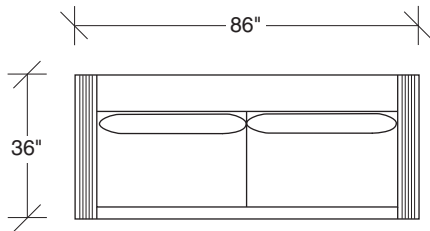
1140-300
ARMLESS SOFA



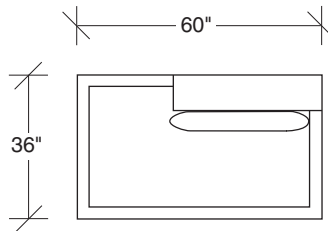
1140-311
LAF SOFA



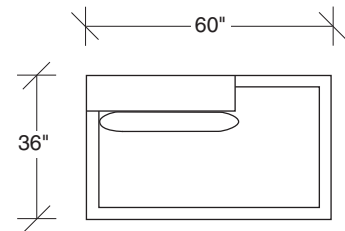
1140-312
RAF SOFA



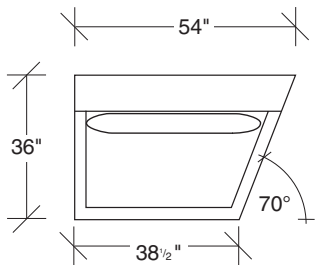
1140-313
SOFA



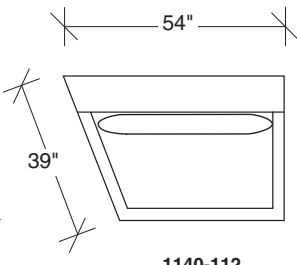
1140-410
LEFT BUMPER CHAISE



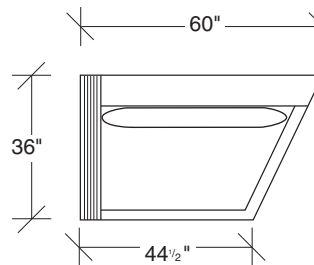
1140-411
RIGHT BUMPER CHAISE



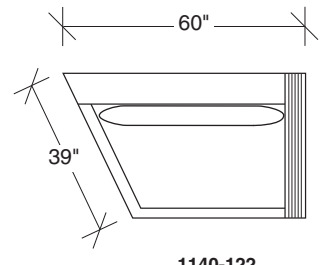
1140-111
ANGLE CHAIR



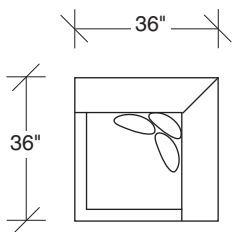
1140-112
ANGLE CHAIR



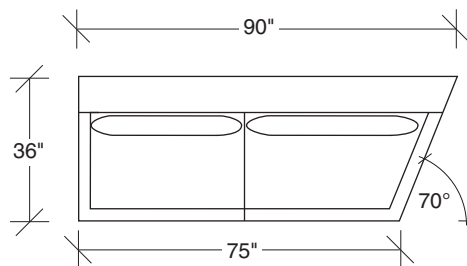
1140-121
LAF ANGLE CHAIR



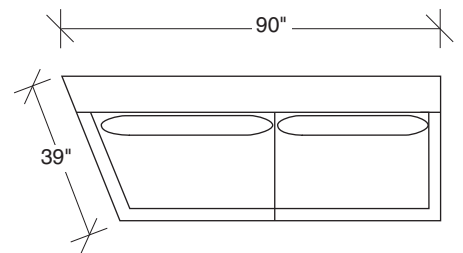
1140-122
RAF ANGLE CHAIR



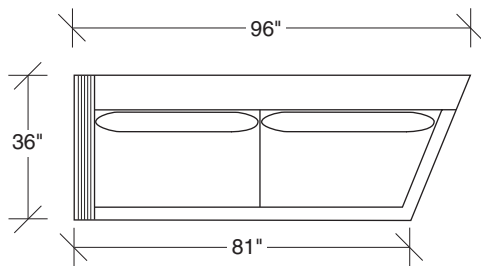
1140-104
CORNER CHAIR
(Three 20 x 20 in.
back pillows standard)



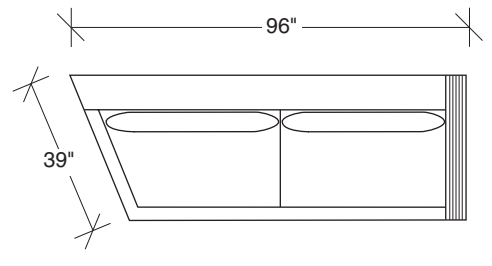
1140-321
ANGLE SOFA



1140-322
ANGLE SOFA



1140-331
LAF ANGLE SOFA



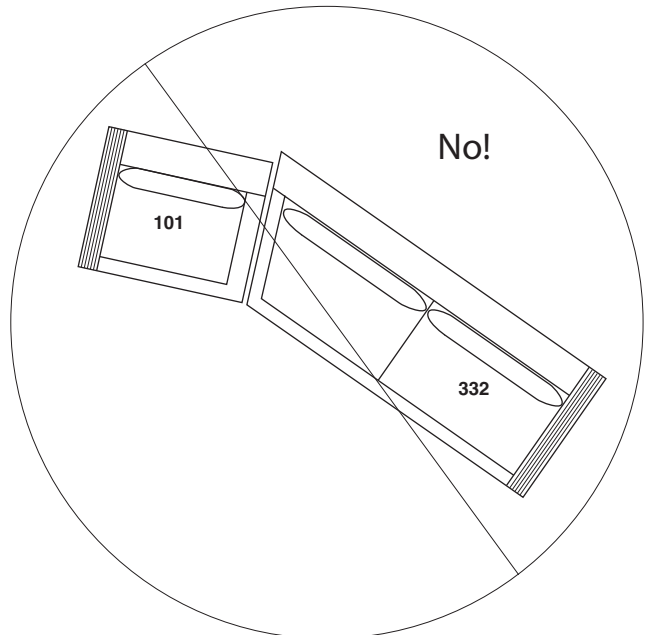
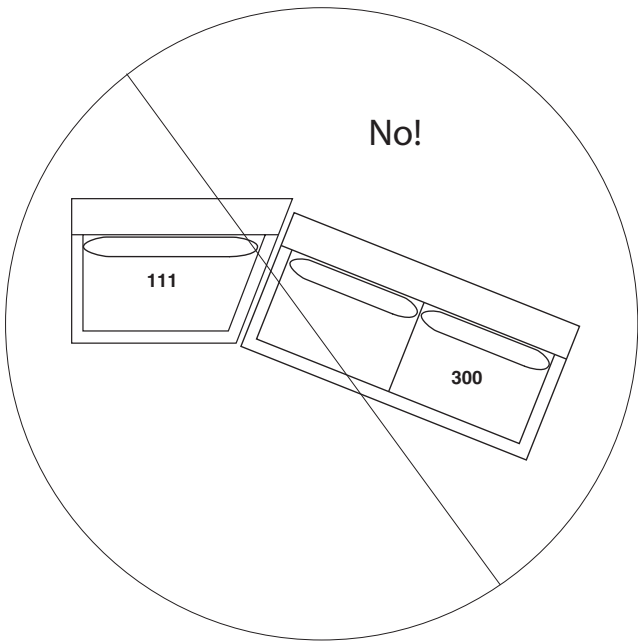
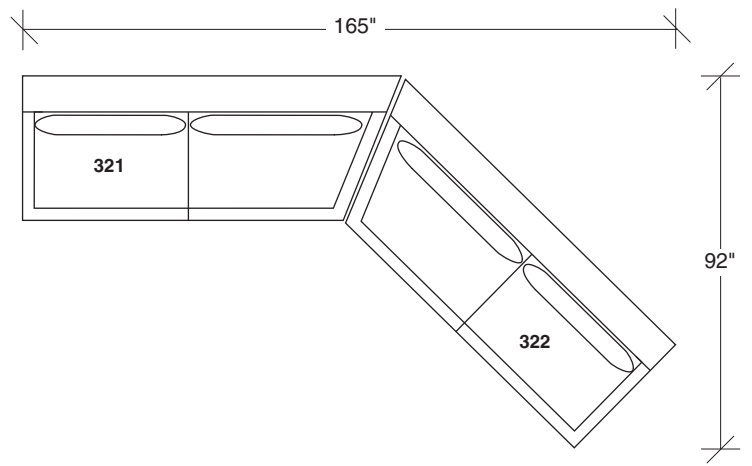
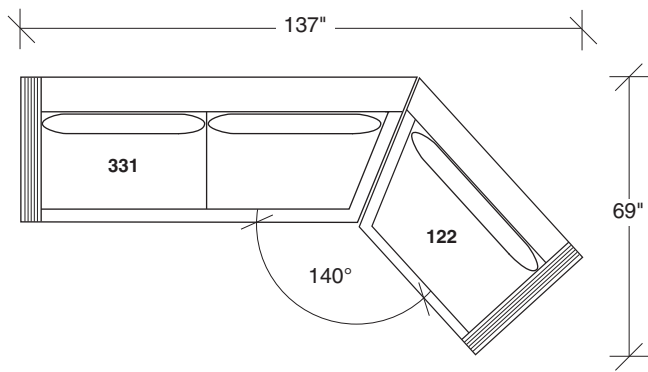
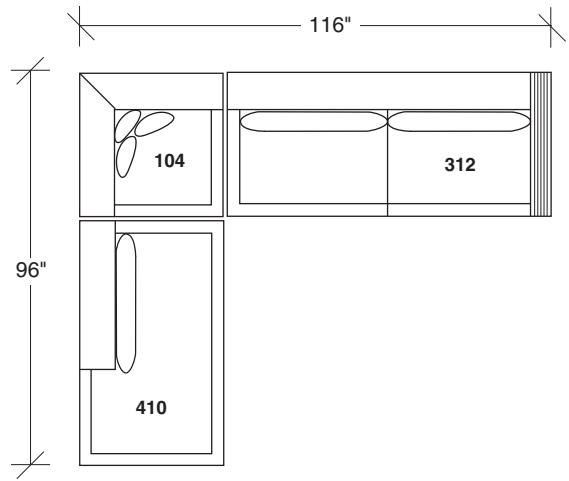
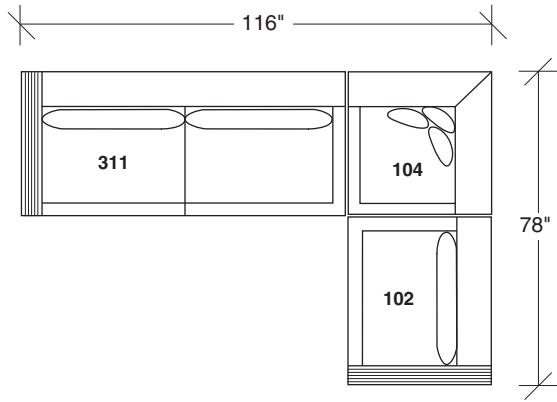
1140-332
RAF ANGLE SOFA

Hi 1140 - Series

Seat Depth 20", Seat Height 17",
Arm Height 22", Arm Width 6",
Edge Border 2" w

Scale 1/4" = 1'0"

All upholstery sizes are approximate



Note: only angle chairs and angle sofas should be used together

Hi
1140 - Series
 Scale 1/4" = 1'0"
 All upholstery sizes are approximate